

Solar container power frequency regulation system





Solar container power frequency regulation system

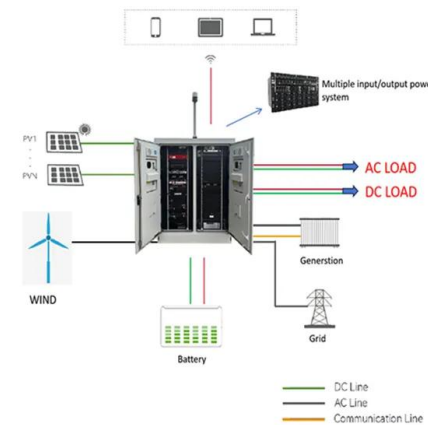


40Ft Air-Cooled Container ESS 1MWh 2MWh Energy Storage System ...

Revolutionize large-scale energy storage with this 40ft Air-Cooled Container Energy Storage System solution, combining 1MWh 2MWh capacity and intelligent thermal control for peak efficiency

100KW Solar Panel Complete Kit Solar System Kit 100KW Batterie ...

Weight 970kg Product name Home Solar Energy Power Hybrid System Communication WIFI GPRS Inverter type High Frequency Inverter Service OEM ODM Accept Battery Lead-Acid, Lithium Ion AC ...



PINGHAI POWER GENERATION SOLAR CONTAINER ...

Pinghai Solar a?, The recent increase in penetration level of renewable energy resources to the grid has presented a number of difficulties to existing power system operation. This is caused by the ...



ELECTRICITY CONSUMPTION MEASUREMENT SOLAR ...

Abstract: The proportion of renewable energy in the power system continues to rise, and its intermittent and uncertain output has had a certain impact on the frequency stability of the



grid. In response to ...



SOLAR CONTAINER SYSTEM FREQUENCY REGULATION ...

The standardized 40ft container system can be configured with 1MW 2MW energy storage system. It meets the application needs of regional power grid peak shaving, frequency regulation, voltage a?, ...

Adaptive power regulation-based coordinated frequency regulation ...

In this paper, an adaptive power regulation-based coordinated frequency regulation method is proposed for PV-energy storage system (ESS) to provide bi-directional frequency regulation.



Solar container power grid frequency regulation

allenges in power system frequency regulation. Firstly, the cost issue is an important consideration, especially in FR applications that require high discharge duration, where the cost of the ...



Renepoly 500kW 1075kWh LiFePO4 Hybrid Solar Wind Power System ...

Ethernet Communication Port Rs485 Grid connection Hybrid grid Cooling Air Cooling System Voltage Other Battery Type LiFePO4 3.2V/280Ah Application Remote Area, EV Station, I & C, Frequency ...



Adaptive power regulation-based coordinated frequency regulation ...

The gradually increasing penetration of photovoltaic (PV) generation presents challenges for frequency regulation and inertia in power systems due to the stochastic and intermittent nature of ...

Solar container system frequency regulation technology

In addition, due to the fluctuating nature of RESs, energy storage devices have a high cycling frequency, which poses a challenge to battery life and performance. 10. Conclusion and ...



FREQUENCY REGULATION BASICS AND TRENDS

Container energy storage systems play a crucial role in grid frequency regulation, offering fast response, reserve capacity, and smoothing of renewable energy integration.



Solar container system frequency regulation method

Does load frequency control improve stability and performance in multi-area power systems? This study investigates improved frequency control strategies for multi-area power systems, aiming to enhance ...



BESS Container Frequency Regulation: The Grid's ...

Renewable chaos wobbling the grid? Discover how BESS Container Frequency Regulation acts in milliseconds - the ultimate 'grid ninja' providing virtual inertia ...



RESEARCH ON APPLICATION OF SOLAR CONTAINER ...

The other inertial response technology is fast power reserve that reduces the power offset in case of system frequency disturbances through fast power control method, which is released a?,

LPW48V100H
48.0V or 51.2V



Frequency regulation principle of solar container power station

From innovative battery technologies to intelligent energy management systems, these solutions are transforming the way we store and distribute solar-generated electricity. [PDF] Frequency regulation ...



Power plant frequency regulation solar container configuration

Can Utility-scale solar PV plants participate in frequency and voltage control? In this paper, a detailed control and modelling framework for utility-scale solar PV plants to simultaneously participate in ...



SOLAR CONTAINER SYSTEM FREQUENCY REGULATION ...

Because batteries (Energy Storage Systems) have better ramping characteristics than traditional generators, their participation in peak consumption reduction and frequency regulation can facilitate ...

Frequency Regulation of Grid Connected Solar PV System Using ...

This paper considers a battery storage system to provide frequency regulation service in a grid connected PV system. Hence, a flowchart is presented on how load imbalance, frequency variance, ...



- IP65/IP55 OUTDOOR CABINET
- OUTDOOR MODULE CABINET
- OUTDOOR 5G BASE STATION CABINET
- WATERPROOF

BESS in Solar for Sale: Top Picks 2025

Looking for BESS in solar for sale? Discover verified suppliers, customizable options, and competitive pricing. Click to find the best lithium iron phosphate battery systems for your solar energy ...



Solar container system frequency regulation method

Maintaining stable voltage and frequency regulation is critical for modern power systems, particularly with the integration of renewable energy sources. This study proposes a coordinated control strategy ...



Analysis of frequency regulation strategy of solar container in ...

This strategy allows PV power generation systems with different reserve capacities to participate in frequency regulation, optimizing the load reduction controller and ensuring system frequency stability.

Benefits of solar container in power plant frequency regulation

However, with more solar and wind power integrated into the grid, the system's ability to stabilize frequency declines. To address this challenge, Battery Energy Storage Systems (BESS) are now ...



Install frequency regulation in wind and solar container power ...

To meet the inertia and primary frequency regulation requirements of the wind-storage system, and reduce the power absorbed during the system's frequency recovery period, a novel coordinated ...



Solar container power grid frequency regulation

Traditional energy sources have slow frequency regulation, but energy storage containers can quickly respond to dispatching instructions in milliseconds, improve power quality, and effectively improve the



Calculation rules for frequency regulation capacity of solar ...

This paper proposes a strategy for sizing a battery energy storage system (BESS) that supports primary frequency regulation (PFR) service of solar photo-voltaic plants.

Contact Us

For catalog requests, pricing, or partnerships, please visit:
<https://www.crossworldtours.co.za>