

# **Solar container industry is experiencing accelerated development**





## Overview

---

The global photovoltaic container market is experiencing robust growth, driven by several factors. The increasing demand for off-grid and distributed generation solutions, coupled with rising concerns about climate change and energy independence, fuels market expansion. The global photovoltaic container market is experiencing robust growth, driven by several factors. The increasing demand for off-grid and distributed generation solutions, coupled with rising concerns about climate change and energy independence, fuels market expansion. The global photovoltaic. DELRAY BEACH, Fla., Sept. 13, 2025 /PRNewswire/ -- The solar container market is projected to reach USD 0.83 billion by 2030 from USD 0.29 billion in 2025, registering a CAGR of 23.8% during the forecast period according to a new report by MarketsandMarkets™. The rising need for decentralized and. he driving forces of SET innovation and evolution i has emerged as a vital solution for governments worldwide [1]. Solar ene illion by 2030, at a CAGR of 2 the need for smart, efficient, an ndustry is expected to maintain its growth trajecto. The global solar container market is expected to grow from USD 0.29 billion in 2025 to USD 0.83 million by 2030, at a CAGR of 23.8% during the forecast period. Growth is driven by the rising adoption of off-grid and hybrid power solutions, especially in remote, disaster-prone, and developing. The Solar Container Market is driven by rising demand for off-grid renewable energy solutions, increasing focus on sustainable power in remote areas, and rapid deployment needs for disaster relief and temporary infrastructure. According to TechSci Research report, "Solar Container Market - Global. The global solar container market was valued at approximately USD 1.2 billion in 2024 and is projected to reach USD 3.8 billion by 2033, exhibiting a compound annual growth rate (CAGR) of 13.7% from 2025 to 2033. Solar containers represent a revolutionary approach to renewable energy deployment.



## Solar container industry is experiencing accelerated development

---

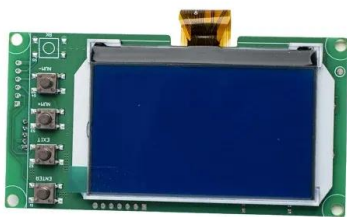


### Solar Container Power Systems Market: Trends & Growth Analysis 2035

Solar Container Power Systems Market Size was estimated at 7.53 (USD Billion) in 2023. The Solar Container Power Systems Market Industry is expected to grow from 8.72 (USD Billion) in 2024 to ...

### Solar Container Market Size, Market Assessment & Forecast 2033

Discover comprehensive analysis on the Solar Container Market, expected to grow from USD 1.5 billion in 2024 to USD 5.2 billion by 2033 at a CAGR of 15.5%. Uncover critical growth factors, market ...



### Solar Container Market is expected to Grow with a CAGR of 20.49%

The solar container market is experiencing robust growth driven by the increasing global demand for decentralized, off-grid energy solutions, particularly in remote and underserved regions.

### United States Solar Container Power Systems Market Size 2026

The United States Solar Container Power Systems Market is experiencing rapid growth, driven by increasing demand for decentralized, scalable, and portable renewable energy



solutions.

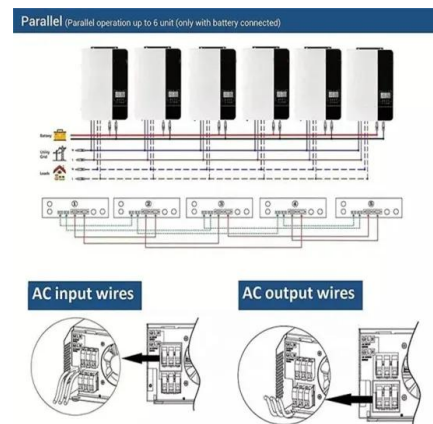


### Solar Container Market By Size, Share, Growth and Forecast 2030

The solar container market refers to the industry focused on the design, development, deployment, and commercialization of portable, self-contained solar power units integrated within standard or modified ...

### Solar Container Market Insights: Industry Development and Projected

The Solar Container market is poised for significant growth, with a projected CAGR of around 25% over the next five years, potentially reaching a market size of \$1.5 billion by 2028.



### Spring 2024 Solar Industry Update

Spring 2024 Solar Industry Update David Feldman Jarett Zuboy Krysta Dummit, Solar Energy Technologies Office Dana Stright Matthew Heine Shayna Grossman, ORISEa Fellow Robert ...



## Solar Container Power Systems Market 2025: Key Investments and

The Solar Container Power Systems Market exhibits notable regional diversity, shaped by differences in industrial development, innovation ecosystems, regulatory frameworks, and end-user demand

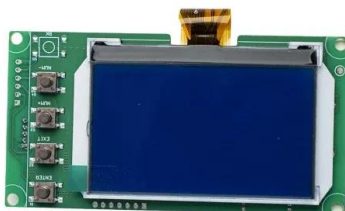


## Solar Container Market Insights: Industry Development and Projected

New York, USA - Solar Container market is estimated to reach USD xx Billion by 2024. It is anticipated that the revenue will experience a compound annual growth rate (CAGR 2025-2031) of xx

## United States Solar Container Market Size And Key Highlights 2025

United States Solar Container Market consist of leading companies specializing in innovative product development, advanced technologies, and efficient supply chains.



## Unraveling the Solar Container: Future of Renewable Energy

The current development status of the solar container is a subject of considerable interest and holds crucial insights into the potential it holds for the global energy sector. Currently, on a global ...



## Solar Container Market Size, Share, Trends , Report 2035

The North American region remains the largest market for solar containers, driven by a strong emphasis on renewable energy adoption. Asia-Pacific is emerging as the fastest-growing region, fueled by ...

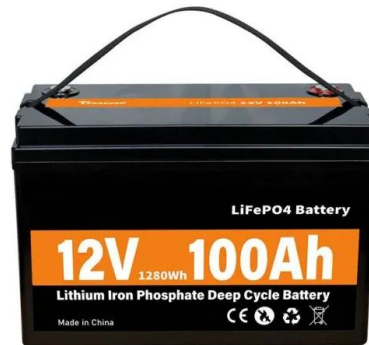


## Global Solar Container Market Insights, Forecast to 2030

This report focuses on the Solar Container sales, revenue, market share and industry ranking of main manufacturers, data from 2019 to 2024. Identification of the major stakeholders in the global Solar ...

## Solar Container Market Size, Share, Opportunities & Forecast

The global solar container market is experiencing unprecedented growth with a projected CAGR of 13.7% from 2025 to 2033 Asia Pacific region dominates the market, accounting for approximately ...



## SOLAR CONTAINER INDUSTRY DEVELOPMENT IS ...

a?c The Global Solar Container Market is projected to grow at a CAGR of 11.3% from 2025 to 2035, driven by increasing demand for sustainable energy solutions and advancements in solar technology.



### Solar Container Market worth \$0.83 billion by 2030

Expanding EV usage in rural and off-grid regions is creating strong demand for solar-powered charging solutions, boosting rapid growth beyond traditional urban centers.



### Solar container industry is experiencing accelerated ...

The global photovoltaic container market is experiencing robust growth, driven by several factors. The increasing demand for off-grid and distributed generation solutions, coupled with rising concerns ...

### Navigating Tomorrow with Autonomous, Solar-Powered ...

November 27, 2024 Imagine a revolutionary vision of the maritime industry: autonomous, solar-powered container ships that blend cutting-edge engineering ...



### Solar Container Power Systems Market Size, Growth Outlook 2034

The Solar Container Power Systems Market size is expected to reach USD 1.5 billion in 2024 registering a CAGR of 11.5. This Solar Container Power Systems Market research report ...



## The Shipping Container Market: Trends, Challenges, and Opportunities

Explore the global Shipping Container Market with insights on size, share, growth drivers, competitive landscape, innovations, and future opportunities. Discover key trends and forecasts ...



## U.S Solar Container Power Generation Systems Market: Trends, Key

The United States Solar Container Power Generation Systems Market is experiencing notable growth due to the increasing demand for portable, clean, and reliable energy sources, ...

## Solar Container Market Size, Future Growth and Forecast 2033

In North America, the solar container market is experiencing steady growth, driven by increasing awareness of renewable energy benefits and supportive government policies.



## Mobile Solar Container Report 2025: Growth Driven by Government

The global mobile solar container market is experiencing robust growth, driven by increasing demand for off-grid and temporary power solutions across diverse sectors. The market, estimated at \$2 billion in ...



## Solar Container Power Systems Market: Key Highlights

Segment Insights: The Solar Container Power Systems Market is witnessing accelerated adoption across industrial, healthcare, and digital ecosystems, with enterprise solutions accounting ...

### ESS

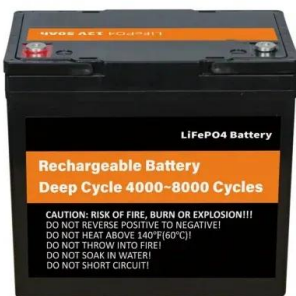


## Solar Container Market Size, Share and Growth Drivers 2030

The global solar container market is expected to grow from USD 0.29 billion in 2025 to USD 0.83 million by 2030, at a CAGR of 23.8% during the forecast period. Growth is driven by the rising adoption of ...

## Solar container Market: trends & opportunities 2035

Solar Container Market Size was estimated at 435.35 (USD Billion) in 2023. The Solar Container Market Industry is expected to grow from 556.24 (USD Billion) in 2024 to 3950.49 (USD Billion) by 2032.



## Global Market Outlook For Solar Power 2023

The annual Global Market Outlook for Solar Power is a project that comes to life with the support and in-depth knowledge of the world's major regional and local solar industry associations. These ...



## Solar Container Market: Trends, Drivers, and Future Outlook

In summary, the solar container market is maturing from niche to mainstream. Although high upfront cost remains a barrier, the benefits of flexibility, modularity, and sustainability are driving ...



## Contact Us

---

For catalog requests, pricing, or partnerships, please visit:  
<https://www.crossworldtours.co.za>