

# Solar container equipment binding specification requirements and standards





## Overview

---

What certifications should solar containers have?

Learn the key standards like IEC, UL, CE, and UN38.3 that ensure safety, compliance, and international deployment success. d certification, equipment, and warranties for solar photovoltaic (PV) equipment and systems. It discusses a selection of programs and rules in these areas to highlight various means by which states and municipalities have addressed these topics and how they impact the implementation of solar. The Federal Energy Management Program (FEMP) provides this tool to federal agencies seeking to procure solar photovoltaic (PV) systems with a customizable set of technical specifications. Select the plus sign in the rows below for more information about each specification. Contact FEMP for. When you're about to roll out containerized solar systems--for a Haitian humanitarian mission or a telecom project in Namibia--you'll soon have to answer a crucial question: what certifications should solar containers have to ensure safety, performance, and compliance with regulations?

Solar. Xcel Energy ("Company") has set minimum requirements for the technical specifications, third-party diligence, and quality assurance for PV modules ("modules") used in Company acquired projects. These requirements are designed to help assure the long-term safety, reliability, and performance of the. There are several accredited SDOs developing product standards for the solar industry, including UL and the Solar Rating and Certification Corporation (ICC-SRCC/ICC-ES). Product standards are implemented either through federal, state regulation or building codes and/or municipal ordinances. [pdf]. Energy storage containers are the backbone of modern renewable energy systems. Whether you're managing a solar farm, wind power plant, or industrial microgrid, understanding quality requirements ensures safety, efficiency, and long-term ROI. This guide breaks down critical standards and shares.



# Solar container equipment binding specification requirements and s

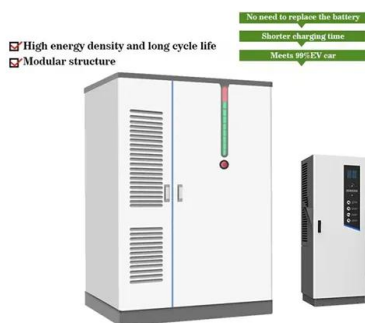


## Solar Photovoltaic: SPECIFICATION, CHECKLIST AND GUIDE

The specifications were developed with significant input from stakeholders including policymakers, code officials, solar installers, and successful RERH builders. The specifications are based on best ...

## STANDARDS AND REQUIREMENTS FOR SOLAR SYSTEMS

What certifications should solar containers have? Learn the key standards like IEC, UL, CE, and UN38.3 that ensure safety, compliance, and international deployment success. [pdf]



## The International Maritime Dangerous Goods (IMDG) ...

The Code sets out in detail the requirements applicable to each individual substance, material or article, covering matters such as packing, container traffic ...

## ENERGY STORAGE CONTAINER CONSTRUCTION STANDARD ...

The global solar storage container market is experiencing explosive growth, with demand increasing by over 200% in the past two years. Pre-fabricated containerized solutions now



account for ...



### Exhibit D.5.2 PV Module Technical Requirements and Guidelines

The purpose of this document is for Company to set clear minimum requirements for the technical specifications, diligence, and quality assurance of modules, but also to provide project developers ...



### SPECIFICATIONS FOR SUPPLY AND INSTALLATIONS OF ...

Equipment's has approved the RRevised Technical Specifications For Solar Perla!: -.0.- n Alliad Equipment (Rev 2019)" in Its meeting held on 11/01)2019 as per following p,rid ., notified with the ...



### STANDARDS AND REQUIREMENTS FOR SOLAR SYSTEMS

Solar container cabinet binding specification requirements and standards The Renewable Energy Ready Home (RERH) specifications were developed by the U.S. Environmental Protection Agency (EPA) to ...





## What Certifications Should Solar Containers Have? A Buyers' and

What certifications should solar containers have? Learn the key standards like IEC, UL, CE, and UN38.3 that ensure safety, compliance, and international deployment success.

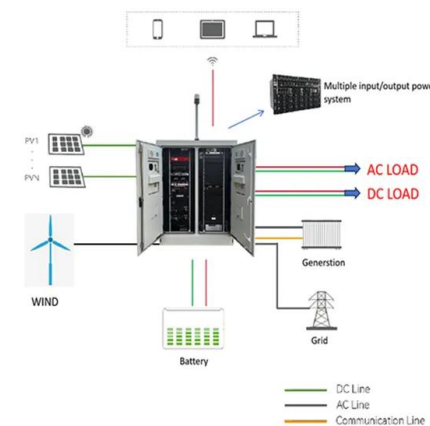


## Technical specifications for solar PV installations

1. Introduction The purpose of this guideline is to provide service providers, municipalities, and interested parties with minimum technical specifications and performance requirements for grid and ...

## The latest version of the technical specification for solar containers

Testing and commissioning shall be done in accordance with the relevant Clauses of the Technical Specification and requirements of the Grid connection/Grid code standard.



## Quality Requirements for Energy Storage Containers: Key Standards

Energy storage containers are the backbone of modern renewable energy systems. Whether you're managing a solar farm, wind power plant, or industrial microgrid, understanding quality requirements ...



## Solar Container Specifications , Mobile Solar Systems , Sunmaygo

Get detailed specs and pricing for Sunmaygo's solar containers. Compare models, battery options, and calculate ROI. Find the best mobile solar power system for your needs.



- IP65/IP55 OUTDOOR CABINET
- OUTDOOR TELECOM CABINET
- OUTDOOR ENERGY STORAGE CABINET
- 19 INCH

## Procurement Specifications Templates for On-Site Solar ...

Disclaimer The enclosed technical template language is intended to provide only example language for agencies to consider in the process of assembling a solicitation and ultimately a contract for privately ...

## Standards and Requirements for Solar Equipment, Installation, and

This guide co-authored by EQ Research provides policymakers with an overview of relevant codes, standards, and requirements affecting solar PV equipment, installation, and installer licensing and ...



## Solar Photovoltaic: SPECIFICATION, CHECKLIST AND GUIDE

The RERH specifications and checklists take a builder and a project design team through the steps of assessing a home's solar resource potential and defining the minimum structural and system ...



## Mobile Solar Containers , SolaraBox Portable & Rapid-Deploy Solar ...

SolaraBox Mobile Solar Containers: deliver 400-670 kWh/day with foldable solar arrays. Rapid-deploy, modular, rugged, and certified for off-grid, on-grid, or hybrid solutions.



## RFP Appendix A (Solar) Solar Photovoltaic Renewable Resource ...

In compliance with the terms of the contract documents, the operating guidelines, the Utility's interconnection requirements (RFP Appendix A-2 - Interconnection Agreement), and all applicable

...

## ENERGY STORAGE CONTAINER POWER STATION STANDARDS

Solar container power station project bidding requirements and standards These Bid Specification Guidelines (Bid Spec Guidelines) are intended to assist project developers to compose initial request ...



## Contact Us

For catalog requests, pricing, or partnerships, please visit:  
<https://www.crossworldtours.co.za>