

Pp on the solar container high voltage box





Overview

Summary: This article explores critical design principles for high voltage boxes in modern energy storage systems, addressing safety, efficiency, and integration challenges. Discover how advanced components and intelligent monitoring solutions are reshaping this crucial BESS element. [pdf] High. In off-grid business use, a Solar PV Energy Storage box represents an autonomous power solution that has photovoltaic (PV) arrays, storage batteries, inverters, and controls. Each of those units—usually included in Mobile Solar Container platforms such as the LZY-MS1 Sliding Mobile Solar Container. You will find the main difference between low voltage and high voltage PV combiner boxes in the voltage they handle and the design challenges they present. Higher voltage systems demand special attention to wiring, insulation, and switching devices for safety. PV systems often operate at 400 V dc. A high voltage box, often referred to as a high-voltage distribution cabinet, is an essential component in containerized energy storage systems. As the. What is a High Voltage Box in Energy Storage Systems?

A high voltage box, often referred to as a high-voltage distribution cabinet, is an essential component in containerized energy storage systems. It is responsible for collecting the direct current (DC) output from multiple battery clusters.



Pp on the solar container high voltage box



UNDERSTANDING THE HIGH VOLTAGE JUNCTION BOX

Solar container high voltage box design Summary: This article explores critical design principles for high voltage boxes in modern energy storage systems, addressing safety, efficiency, and integration ...

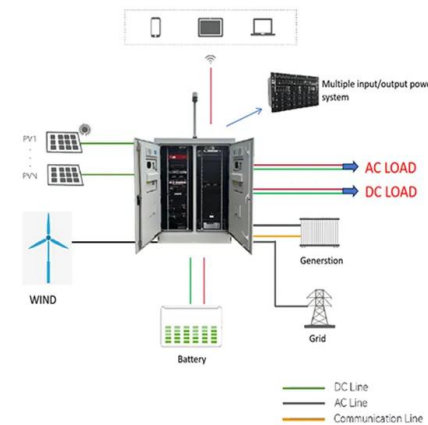


Solar PV Energy storage box installation and wiring method

In off-grid business use, a Solar PV Energy Storage box represents an autonomous power solution that has photovoltaic (PV) arrays, storage batteries, inverters, and controls.

What is a PV Combiner Box?

Be smart and use common sense :) DIY Solar Power with Will Prowse is a participant in the Amazon Services LLC Associates Program, An affiliate advertising program designed to provide a means for



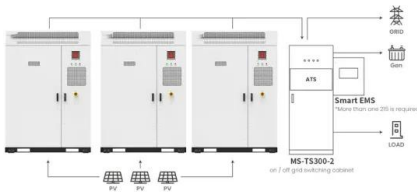
Installing Solar Panels on Shipping Containers: How-To ...

Thinking of adding solar panels to your shipping container? Learn key considerations, how many panels fit on 20ft and 40ft containers, plus tips and ...



PV Box ST

Product at a glance In a PV plant installation, it operates between DC field and AC MV grid connection point. The PV Box performs the DC power concentration, the DC/AC conversion, and the AC voltage ...



Application scenarios of energy storage battery products

Solar String Combiner Boxes

ABB also offers prewired solar combiner boxes with not only string protection, surge protection and disconnection but also with additional monitoring devices. The monitoring device CMS PV collects all ...



Why Do You Need a Solar Combiner Box? , CHINT global

A solar combiner box can help organize solar strings and protect the solar inverter in the event of overcurrent or overvoltage. It can also reduce materials costs.



Lithium Battery Shipping Overview

This information may be marked on the battery. If not, contact cell/battery manufacturer for a Lithium Battery Test Summary (TS) Document or calculate by multiplying a cell's or battery's rated capacity, ...



High-Voltage Box Energy Storage: Powering the Future with Smart ...

It hates sudden movements (like renewable energy fluctuations) and demands constant pampering. Enter high-voltage box energy storage systems, the ultimate peacekeepers in our ...

UL-Certified Solar Containers: Powering Resilience & Sustainability

Discover UL-Certified Solar Containers - the game-changing solution for resilient, sustainable power anywhere. Learn about technology, benefits, and real-world applications of these ...



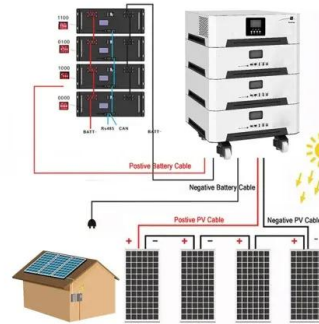
4 Keys to the Most Reliable Solar Panel Packaging

We share 4 tips from our packaging designers in creating the most reliable solar panel boxes on the market, to protect the solar panels before they reach your door.



High Voltage Box in Energy Storage Systems, Industry, SolarMak

When choosing a high voltage box, project developers should consider: Compatibility with the battery system capacity (e.g., 100kWh modules or multi-MWh containers). Protection and ...



UNDERSTANDING THE HIGH VOLTAGE JUNCTION BOX

Solar container high voltage box design
Summary: This article explores critical design principles for high voltage boxes in modern energy storage systems, addressing safety, efficiency, and integration ...

Sunway High Voltage Solar System Battery Pack Dc ...

High-voltage design: High-voltage lithium batteries typically have higher voltages, which means they can operate at higher voltages, reducing transmission losses. ...



LFP 280Ah C&I

Sunway High Voltage Lithium-Ion Battery Main ...

High-voltage design: High-voltage lithium batteries typically have higher voltages, which means they can operate at higher voltages, reducing transmission losses. ...



Pp on the energy storage high voltage box

Building on nearly a decade of successful manufacturing and global deployments of high-performance batteries, SimpliPhi is introducing a dynamic and scalable PHI High Voltage



Differences Between Low Voltage and High Voltage PV Combiner Boxes

Compare low voltage and high voltage PV Solar Combiner Box types, focusing on voltage ratings, safety, wiring, and choosing the right box for your solar system.

The Ultimate Guide to Battery Combiner Boxes: ...

Installing a battery combiner box involves connecting the positive and negative wires from each solar panel to busbars within the box, securing connections with ...



Contact Us

For catalog requests, pricing, or partnerships, please visit:
<https://www.crossworldtours.co.za>