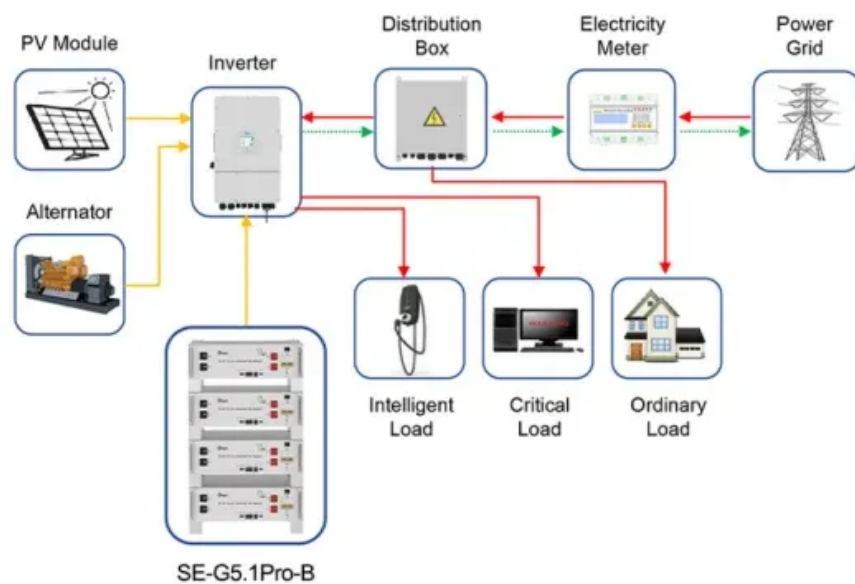


Mechanized solar container



Application scenarios of energy storage battery products



Mechanized solar container

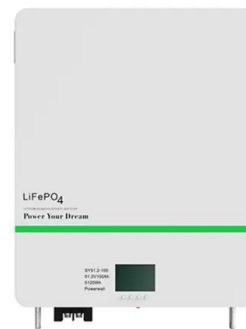


Mobile Solar Containers , SolaraBox Portable & Rapid-Deploy Solar ...

SolaraBox Mobile Solar Container brings green energy wherever you need it. The integrated solar system delivers 400-670 kWh of energy daily. Thanks to foldable solar arrays, the container is ...

Mobile Solar Containers , Green City Times

In this article, we'll dive into how mobile solar containers work, their top use cases, and why they're one of the smartest off-grid solar solutions available today. ...



Solar Container 45ft

Introduce power to any location with our Solar Energy Container. It's a transportable, fast-to-deploy source of green energy, housed in a standard-sized container for global mobility. Set on hydraulic ...



Mobile Solar Container , movable solar power plant , PV, Photovoltaic

Solar Container is an innovative solution to easily transport solar farms without the need to assemble on site. Main features:- automated



unfolding- sun trac



ESS

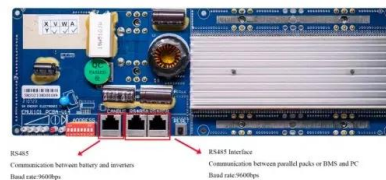


Shipping Container Solar Systems in Remote Locations: An Overview

Shipping container solar systems represent a powerful shift toward sustainable, mobile energy solutions. By combining the durability of steel containers with the clean energy potential of ...

Mobil Grid® solar container , ECOSUN innovations

The Mobil-Grid ® is an ISO-standard, CSC-approved maritime container that integrates a photovoltaic power plant, ready to be deployed and connected, with integrated control cell and batteries.



How to Deploy Solar Containers for Rural Electrification--A Working

A solar container--a shipping container powered by solar panels, batteries, inverters, and smart controls--can illuminate a village at a time. This is exactly how you deploy solar containers for ...



Mobile solar container range

We are actively driving the evolution towards emission and noise compliant power solutions at worksites. The mobile solar container range redefines on-site power by harnessing the sun's energy in an ...



Solarcontainer explained: What are mobile solar systems?

The solar container can be used for short-term use at events, for longer use, for example over the summer months, or as a long-term solution. To cover the wide range of requirements, we make a ...

Customized Mobile Solar Container , Portable Solar Energy Storage

Highjoule's mobile solar containers provide portable, on-demand renewable energy with foldable photovoltaic systems (20KW-200KW) in compact 8ft-40ft units. Ideal for temporary power, remote ...



UNLOCKING OFF-GRID POWER: THE ULTIMATE GUIDE TO SOLAR ...

Understanding Solar Energy Containers Solar energy containers encapsulate cutting-edge technology designed to capture and convert sunlight into usable electricity, particularly in ...



Solar container Solarfold motorized , ECOSUN innovations

The deployable 130 kWp mobile solar solution. The container integrates 196 photovoltaic modules that can be electrically deployed and retracted in less than 30 minutes. The aluminum rail system, both ...

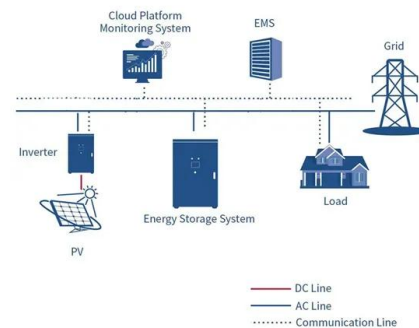


Shipping Container Solar Systems in Remote Locations: An Overview

Shipping container solar systems are transforming the way remote projects are powered. These innovative setups offer a sustainable, cost-effective solution for locations without access to ...

Instant Off-Grid(TM) Shipping Containers with Solar and Batteries and AC+

Beyond mounting the solar panels on the roof of the container on delivery, NO wiring or assembly is required to have your own storage, living space or workspace ready in just a few hours.



Mobile solar array range

Designed for Plug and play operations, the ZSC range of mobile solar power is easy to setup and commission. The compact container is easy to transport and is a low maintenance asset on site.



LZY Mobile Solar Container , Mobile Solar Power System

What is the LZY-MSC1 Sliding Mobile Solar Container? The LZY-MSC1 Mobile Solar Container is a mobile solar solution based on a standard container design, ...



Mobile Solar PV Container

A versatile mobile solar PV container offering plug-and-play green energy solutions with modular design, high-efficiency panels, and global mobility for off-grid and emergency power needs.

Mobil Grid® solar container , ECOSUN innovations

The Mobil-Grid ® is an ISO-standard, CSC-approved maritime container that integrates a photovoltaic power plant, ready to be deployed and connected, with ...



LZY Mobile Solar Container , Mobile Solar Power System

LZY-MSC3 Bolt-On Solar Container delivers modular power generation with easy-to-install detachable solar panels. Quick deployment for construction sites, remote industrial applications and disaster ...



Solarcontainer: The mobile solar system

We make mobile solar containers easy to transport, install and use. Make the next step towards renewable energy with our Solarcontainer! The challenges of our time are more present than ever.



Solar + Battery Powered Shipping Container Tour ,Off Grid Tiny Home

Mike with RPS introduces you the product, the Instant Off-Grid Container, an all-in-one solar off-grid unit with a battery bank that can serve as a tiny home, office, hunting cabin and tack room.

Contact Us

For catalog requests, pricing, or partnerships, please visit:
<https://www.crossworldtours.co.za>