

# Industrial and commercial solar container cabinet benefits



**51.2V 150AH, 7.68KWH**





## Overview

---

These systems are designed to store energy generated from solar panels (or the grid) and release it when needed, helping businesses save on electricity costs, ensure power reliability, and participate in demand response or peak shaving. In today's rapidly evolving energy landscape, industrial and commercial sectors are increasingly relying on energy storage solutions to enhance operational efficiency, reduce energy costs, and contribute to sustainability efforts. Among these solutions, industrial & commercial ESS cabinets play a. In the evolving landscape of energy management, the energy storage cabinet has become a vital component for industrial and commercial sectors. With the push towards sustainability and efficiency, businesses are increasingly seeking integrated solutions. Let's delve into five standout features of. These containers are revolutionizing the way solar energy is deployed, particularly in remote areas, disaster relief zones, military operations, construction sites, and temporary industrial setups. This article explores the benefits, features, components, and industrial applications of solar power. Solar containers represent a unique synthesis of solar energy and modular technology, providing flexibility and efficiency in energy deployment. The Global Solar Council estimates that transitioning to solar energy could reduce carbon emissions drastically, with solar power expected to account for. A 20-foot air-cooled cabinet C&I solar power storage system is a type of commercial and industrial (C&I) energy storage solution housed in a standard 20-foot container. These systems are designed to store energy generated from solar panels (or the grid) and release it when needed, helping. Understanding its Role in Modern Energy Solutions A Container Battery Energy Storage System (BESS) refers to a modular, scalable energy storage solution that houses batteries, power electronics, and control systems within a standardized shipping container. What are photovoltaic energy storage.



## Industrial and commercial solar container cabinet benefits

---



### Bess Solar Storage for Sale - Reliable & Efficient

Looking for bess solar storage for sale? Discover top-tier, verified suppliers with lithium iron phosphate batteries, 98% efficiency, and remote monitoring. Click to explore reliable options today.

### Top 10 Benefits of Solar Containers for Sustainable Energy Solutions

As governments and organizations around the world prioritize clean energy initiatives, the advantages of solar containers become even more evident. By leveraging cutting-edge designs and renewable ...



### BESS in Solar for Sale: Top Picks 2025

Looking for BESS in solar for sale? Discover verified suppliers, customizable options, and competitive pricing. Click to find the best lithium iron phosphate battery systems for your solar energy ...

### Elecod Solar+ESS+Grid Power Solution for an Industrial Park in ...

A solar-energy storage system-grid power solution has been deployed at a local industrial park in Poland. The system includes a 125kW power conversion system(PCS), 261kWh liquid-



cooled energy ...



### VADUZ INDUSTRIAL AND COMMERCIAL ENERGY STORAGE CABINET

LLSE CONTAINERS specializes in solar batteries, lithium batteries, 20ft/40ft container energy storage systems, non-standard custom energy storage solutions, photovoltaic containers, custom folding ...

### The Ultimate Guide to Container Offices: Portable and ...

Their 20-foot container office includes a desk, filing cabinets, a drafting table, and a small kitchenette--efficiently laid out to provide everything needed without ...



### Key Advantages of Using a Solar Power Container

In recent years, solar power containers have emerged as a flexible, efficient, and sustainable energy solution, particularly for applications that require off-grid power or mobile energy ...



## INDUSTRIAL AND COMMERCIAL SOLAR ENERGY STORAGE CABINETS

The global solar storage container market is experiencing explosive growth, with demand increasing by over 200% in the past two years. Pre-fabricated containerized solutions now account for ...

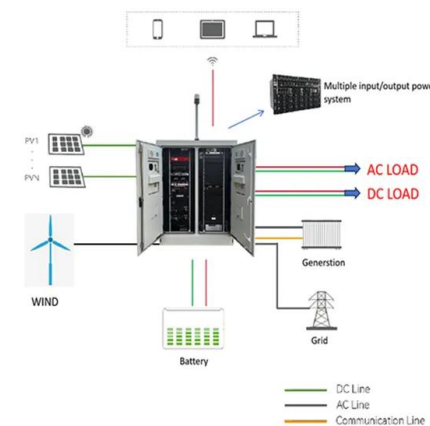


### The Benefits of Solar-Powered Shipping Container ...

Your Business Vision Solar-powered shipping container structures are versatile and forward-thinking solutions. By combining renewable energy with container ...

### 20-foot air-cooled cabinet C& I solar energy storage system energy

These systems are designed to store energy generated from solar panels (or the grid) and release it when needed, helping businesses save on electricity costs, ensure power reliability, and ...



### The role and significance of factory solar container battery cabinets

A battery cabinet system is an integrated assembly of batteries enclosed in a protective cabinet, designed for various applications, including peak shaving, backup power, power quality



## Industrial and Commercial Solar Energy Storage System

Commercial and Industrial Solar Battery Storage System Advantages Using container type integration, high integration, accurate measurement, real-time monitoring, safe and reliable operation, simple ...



## Industrial & Commercial ESS Cabinets for Large-Scale ...

Among these solutions, industrial & commercial ESS cabinets play a crucial role in providing safe, reliable, and scalable energy storage for large-scale operations.

## Solar Battery Cabinet: The Ideal Solution for Energy Storage

With benefits like improved safety, space optimization, longer battery life, and reliable backup power, a solar battery cabinet can significantly improve your solar energy system's efficiency. ...



## Industrial & Commercial ESS Cabinets for Large-Scale Operations

In today's rapidly evolving energy landscape, industrial and commercial sectors are increasingly relying on energy storage solutions to enhance operational efficiency, reduce energy costs, and contribute to ...



## Top 10 Benefits of Solar Containers for Sustainable Energy Solutions

In this article, we will explore the top ten benefits of solar containers, highlighting their role as a cornerstone for sustainable energy solutions in our increasingly energy-conscious landscape.



## Micro Grid Energy Storage, Energy Cabinet, Container Energy ...

The five common questions regarding Huijue Group's Industrial and Commercial Battery Energy Storage Systems (BESS) What are the key benefits of Huijue's Industrial and Commercial BESS? Huijue's ...

## Tax Benefits of Using Repurposed Industrial Containers for Your ...

Repurposed industrial containers offer a unique combination of sustainability, flexibility, and tax advantages for businesses. By understanding and leveraging these tax benefits, you can ...



## The Advantages and Applications of Solar Power Containers

This article explores the benefits, features, components, and industrial applications of solar power containers, offering a comprehensive look into this powerful renewable energy solution.



## Benefits of Installing Solar In Commercial or Industrial Buildings

Explore the Benefits of Installing Solar in Commercial or Industrial Buildings. Boost Energy Efficiency, Cut Costs & Embrace a Greener Future with Solar Power Solutions.



12V 10AH



## The Ultimate Guide to Container Offices: Portable and Efficient

Their 20-foot container office includes a desk, filing cabinets, a drafting table, and a small kitchenette--efficiently laid out to provide everything needed without wasted space.

## UNLOCKING OFF-GRID POWER: THE ULTIMATE GUIDE TO SOLAR ENERGY CONTAINERS

In today's dynamic energy landscape, harnessing sustainable power sources has become more critical than ever. Among the innovative solutions paving the way forward, solar energy ...



## Five Highlights of the Integrated Outdoor Energy Storage Cabinet

In the evolving landscape of energy management, the energy storage cabinet has become a vital component for industrial and commercial sectors. With the push towards sustainability ...



## Modular Energy Storage Container Benefits

Whether used as container battery energy storage systems or integrated with solar battery storage containers, they offer significant advantages over traditional energy storage methods. ...



## Contact Us

---

For catalog requests, pricing, or partnerships, please visit:  
<https://www.crossworldtours.co.za>