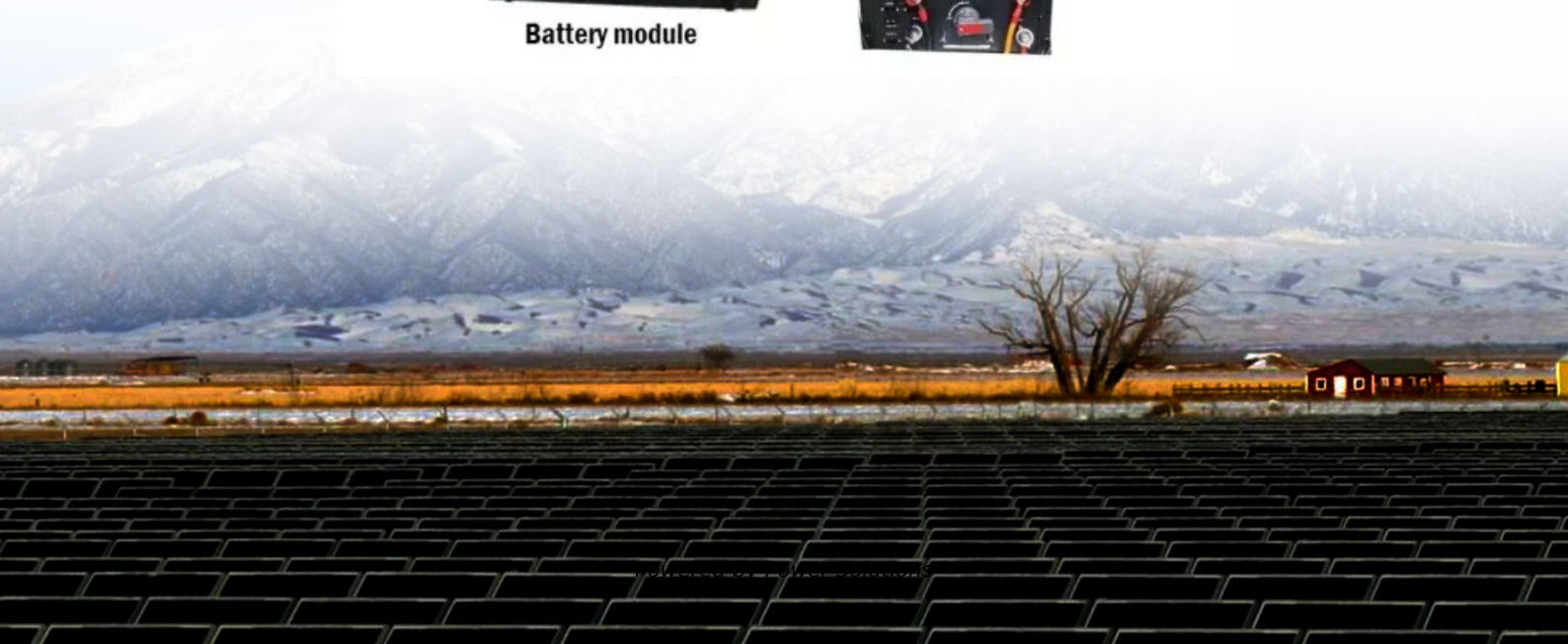


Caojiatan solar container emergency power supply





Overview

ABSTRACT This paper presents a detailed investigation of an emergency power supply that enables solar photovoltaic (PV) power integration with a battery energy storage system (BESS) and a wireless . We rounded up the best emergency solar power setups to help you keep the lights on when the power grid goes down. Come see what we recommend. The Solar Container Home is HighJoule's latest product, ingeniously combining shipping containers with solar panels to provide users with comfortable and. During earthquakes, abrupt loss of infrastructure—power among them—is one of the most immediate issues. Hospitals, shelter facilities, communication networks, and water treatment facilities all require uninterrupted power supply. In most cases, the grid goes down, and fuel supplies get interrupted. Solar power containers have emerged as an effective and mobile energy solution that brings electricity to areas where the grid is damaged or nonexistent. Their modular design, fast deployment, and renewable operation make them a valuable asset in emergency and humanitarian missions. A solar power. Disaster solar containers help bring back energy in less than two hours. The market for disaster solar solutions is growing quickly. This happens because of new ideas and the need for quick help. These containers change how I think about emergency relief. What Are Disaster Solar Containers?

When I. The smart power supply enables real-time monitoring of power supply networks and devices, intelligent diagnosis and analysis, unmanned robots, smart pumps. Energies | Free Full-Text | Battery Energy Storage System for Emergency Supply and Improved Reliability of Power Networks. This paper. Containerized systems are pre - assembled and pre - tested in the factory, which means they can be quickly transported to the site where emergency power is needed. Unlike traditional power generation facilities that may take months or even years to build, a container energy storage system can be up.



Caojatan solar container emergency power supply



Mobile Solar PV Container , Portable Photovoltaic Power Station

High-efficiency Mobile Solar PV Container with foldable solar panels, advanced lithium battery storage (100-500kWh) and smart energy management. Ideal for remote areas, emergency rescue and ...

How Solar Power Containers Support Emergency and Humanitarian

Solar power containers have emerged as an effective and mobile energy solution that brings electricity to areas where the grid is damaged or nonexistent. Their modular design, fast ...



The Advantages and Applications of Solar Power Containers

The solar power container stands at the intersection of portability, sustainability, and technological innovation. It offers a smart, reliable, and eco-friendly alternative to traditional off-grid ...

THE POWER OF SOLAR ENERGY CONTAINERS: A ...

Introduction: Discover the numerous advantages of solar energy containers as a popular renewable energy source. From portable units to large-scale structures, these self-contained ...

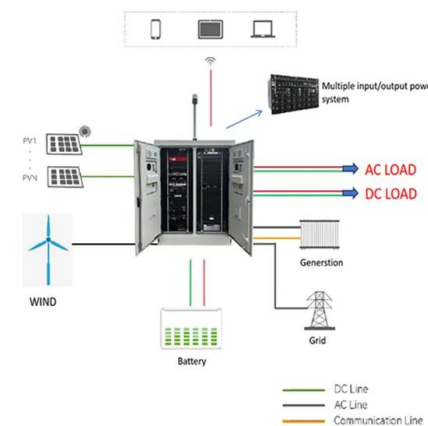


How Do Solar Power Containers Work and What Are They?

Solar power containers combine solar photovoltaic (PV) systems, battery storage, inverters, and auxiliary components into a self-contained shipping container. By integrating all ...

How Do Solar Containers Enable Disaster Relief? With an Eye to

This article examines the role of solar containers in earthquake response, their deployment benefits, and field deployments of how they provide clean and reliable power when it's needed.



- All in One**
Integrating battery packs
- High-capacity**
50-500kWh
- Degree of Protection**
IP54
- Operating Temperature Range**
-20-60°C(Derating above 50 °C)
- Intelligent Integration**
Integrated photovoltaic storage cabinet
- Rated AC Power**
50-100kW
- Altitude**
3000m(>3000m derating)

How Disaster Solar Containers Revolutionize Emergency Power

Disaster solar containers deliver clean, reliable emergency power in under 2 hours, offering rapid, fuel-free deployment for disaster relief and housing.



How Are Shipping Containers Powered?

Learn about the potential of the LZY-MSC1 mobile solar container system, advanced containerized solar panels, and explore how folding solar panels can be used to power shipping ...



caojiatan energy storage emergency power supply bidding

This paper introduces the concept of a battery energy storage system as an emergency power supply for a separated power network, with the possibility of island operation for a power substation with one ...

How Solar Power Containers Support Emergency and Humanitarian

Summary Solar power containers play a vital role in emergency and humanitarian operations by delivering fast, reliable, and renewable electricity anywhere it is needed. Their ability to ...



Emergency Power Container for Disaster Relief and Off-Grid Energy

An Emergency Power Container--a synonym for a containerized energy storage system (CESS) or solar-powered mobile unit--is a packaged modular power system contained within a ...



Solar container energy storage solution: portable power system in

The solar container solution The ISemi solar container solution is basically treasure chest that holds the power of the sun. It consists of solar panels that absorb sunlight during the day, storing ...



Contact Us

For catalog requests, pricing, or partnerships, please visit:
<https://www.crossworldtours.co.za>